



305269 D Angular contact ball bearings, double row

Angular contact ball bearings, double row

Bearing data

[Tolerances](#),

Normal, P6, P5,

[Internal clearance](#),

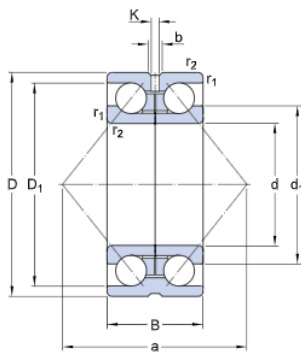
table, drawing no

Bearing interfaces

[Seat tolerances for standard conditions](#),

[Tolerances and resultant fit](#)

Technical specification

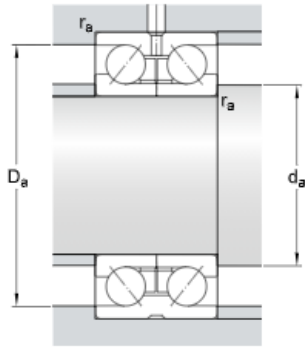


DIMENSIONS

d	280 mm	Bore diameter
D	389.5 mm	Outside diameter
B	92 mm	Width
d ₁	≈ 324.65 mm	Shoulder diameter inner ring for two-piece inner ring
D ₁	≈ 364.45 mm	Shoulder diameter outer ring
b	16.7 mm	Width annular lubrication groove at outer ring
K	9 mm	Diameter lubrication hole (outer ring)
r _{1,2}	min. 2.1 mm	Chamfer dimension inner ring for two-piece inner ring
a	258 mm	Distance pressure point(s)

ABUTMENT DIMENSIONS

d _a min.	285 mm	Abutment diameter shaft
D _i max.	362 mm	Abutment diameter housing
r _a max.	2.1 mm	Fillet radius



CALCULATION DATA

C	403 kN	Basic dynamic load rating
C ₀	750 kN	Basic static load rating
P _u	18 kN	Fatigue load limit
	1 600 r/min	Reference speed
	1 600 r/min	Limiting speed
k _r	0.095	Calculation factor
e	0.86	Calculation factor
X	0.62	Calculation factor
Y ₀	0.63	Calculation factor
Y ₁	0.73	Calculation factor
Y ₂	1.17	Calculation factor

MASS

	33.2 kg	Mass bearing
--	---------	--------------